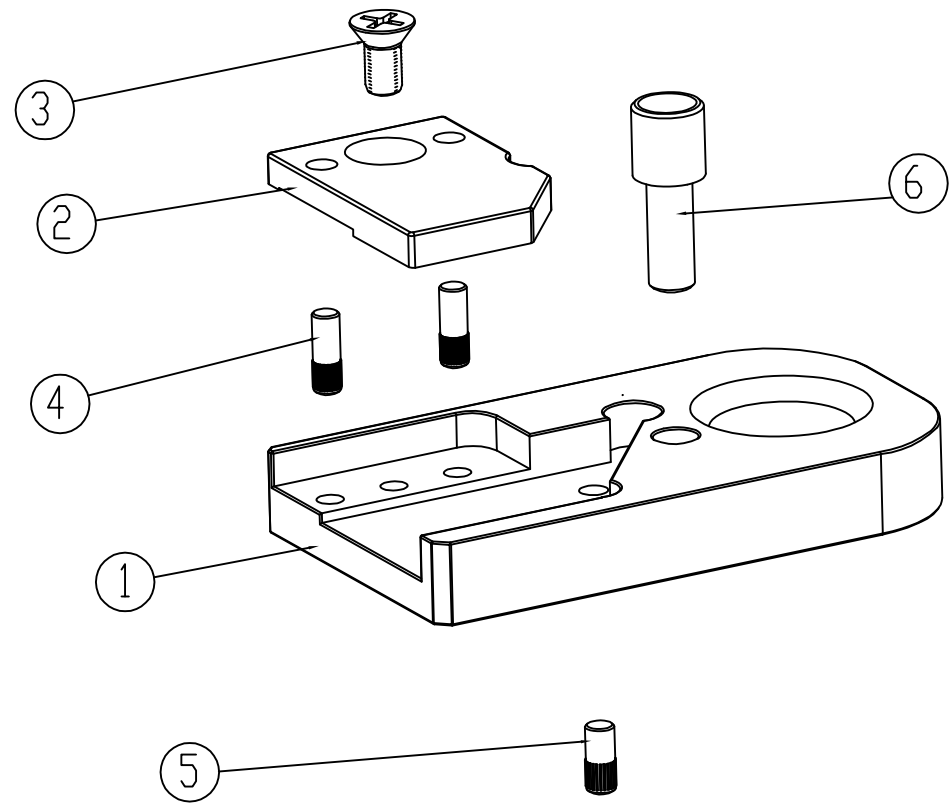
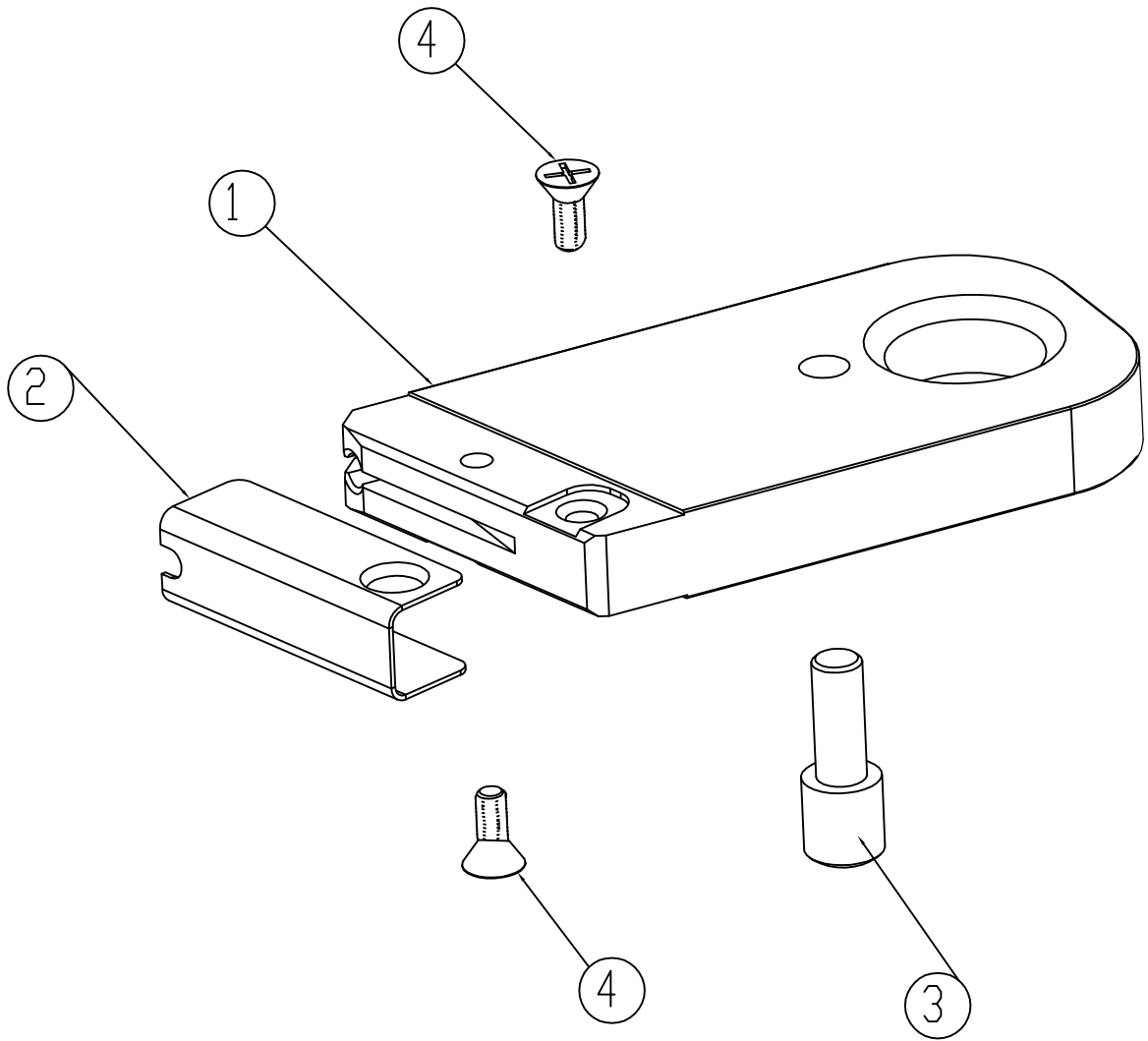


ITEM	DESCRIPTION	PART No.	QTY
1	1/4' BLADE HOLDER	17-xxx	1
2	BLADE CLAMP PLATE	17-xxx	1
3	M4 X 8mm FLAT HEAD SCREW	17-259	1
4	3mm DIA. X 9mm GROOVE PIN	17-xxx	2
5	3.18mm DIA. X 7.5mm GROOVE PIN	17-xxx	1
6	POST STUD	17-257	1



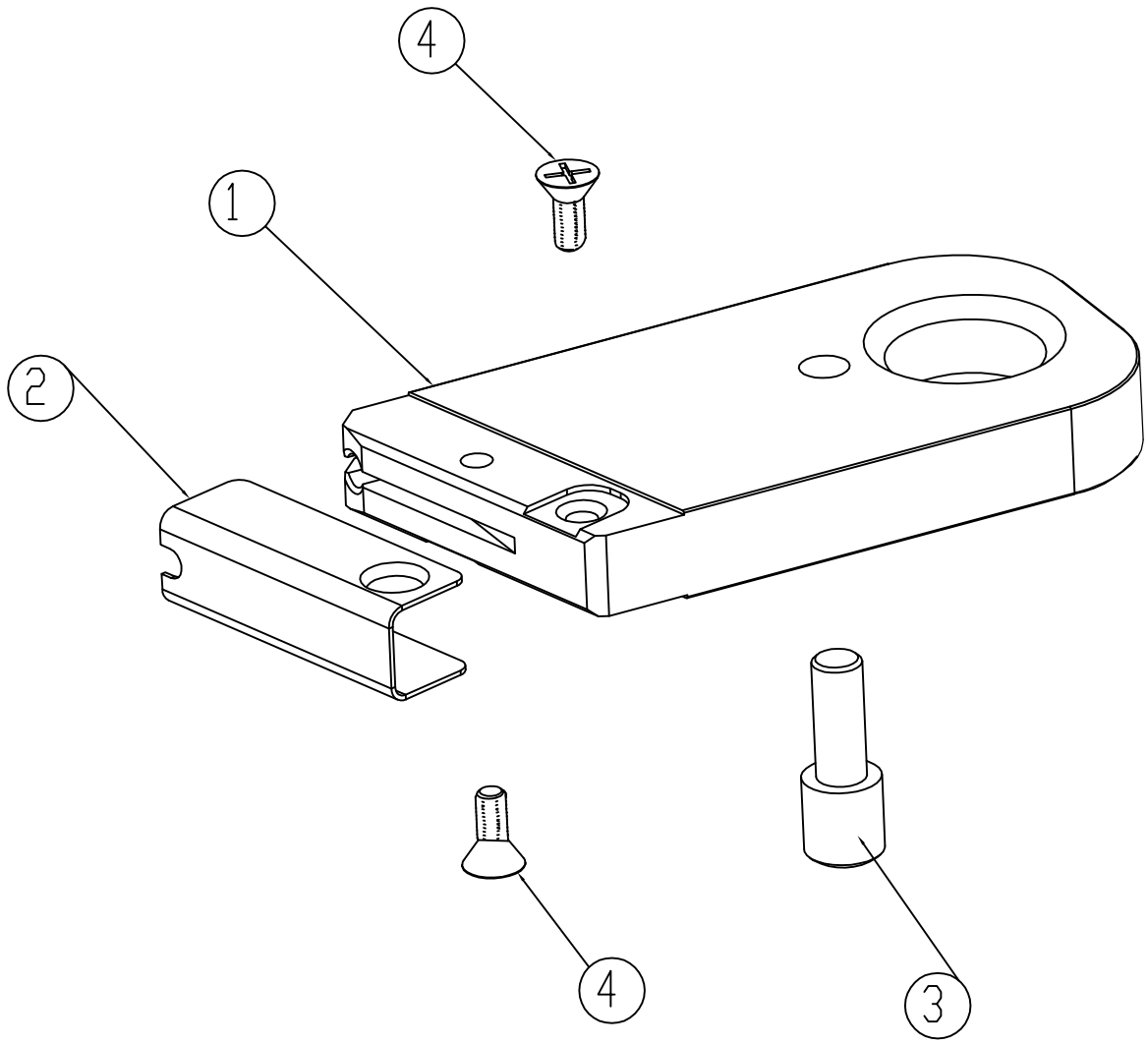
FSC 1/4' BLADE HOLDER ASSEMBLY

ITEM	DESCRIPTION	PART No.	QTY
1	GLASS SCORING TOOL HOLDER	17-xxx	1
2	WEAR RAMP	17-xxx	1
3	POST STUD	17-257	1
4	M3 X 8mm FLAT HEAD SCREW	17-xxx	1



FSC GLASS HOLDER ASSEMBLY

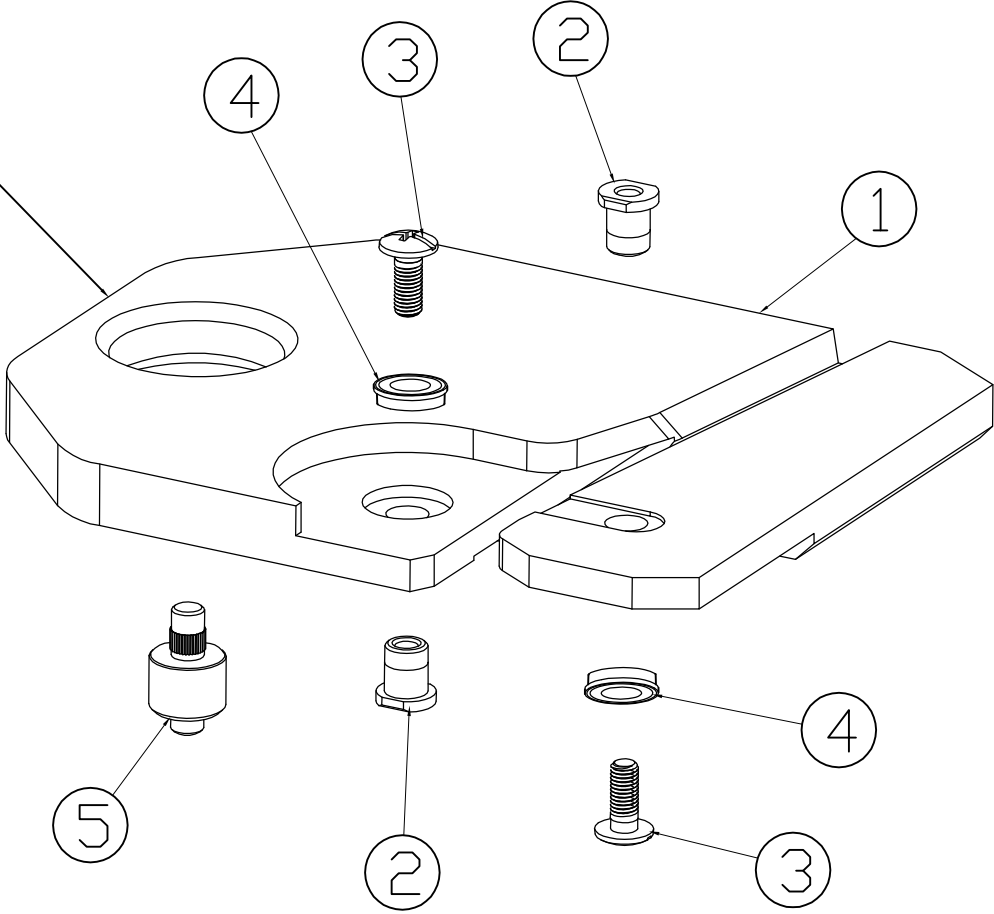
ITEM	DESCRIPTION	PART No.	QTY
1	GLASS SCORING TOOL HOLDER	17-xxx	1
2	WEAR RAMP	17-xxx	1
3	POST STUD	17-257	1
4	M3 X 8mm FLAT HEAD SCREW	17-xxx	1



FSC GLASS HOLDER ASSEMBLY

ITEM	DESCRIPTION	PART No.	QTY
1	ALUM SHEET TOOL HOLDER	17-xxx	1
2	WHEEL BEARING STUD/POST	17-229	2
3	WHEEL HOLDER SCREW	17-231	2
4	WHEEL BEARINGS (SET OF TWO)	05-226	1 SET
5	POST STUD - WHEEL HOLDERS	17-xxx	1

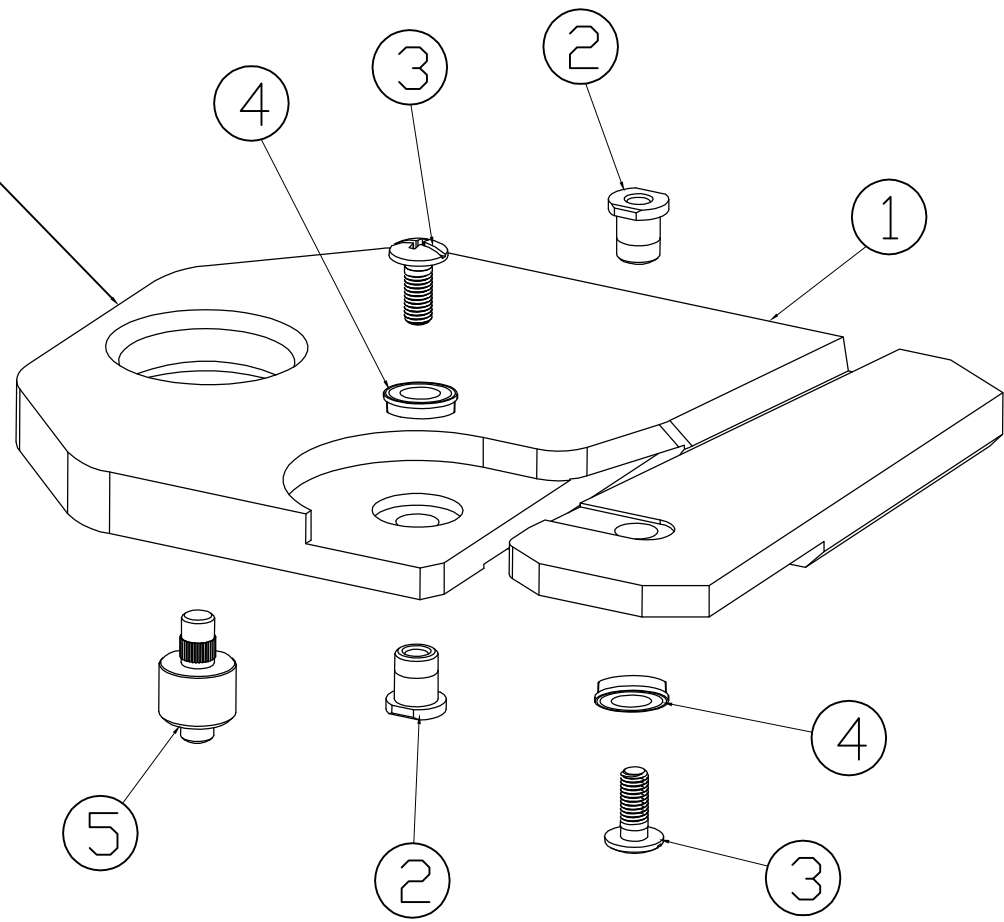
ALUM SHEET



FSC ALUM SHEET HOLDER ASSEMBLY

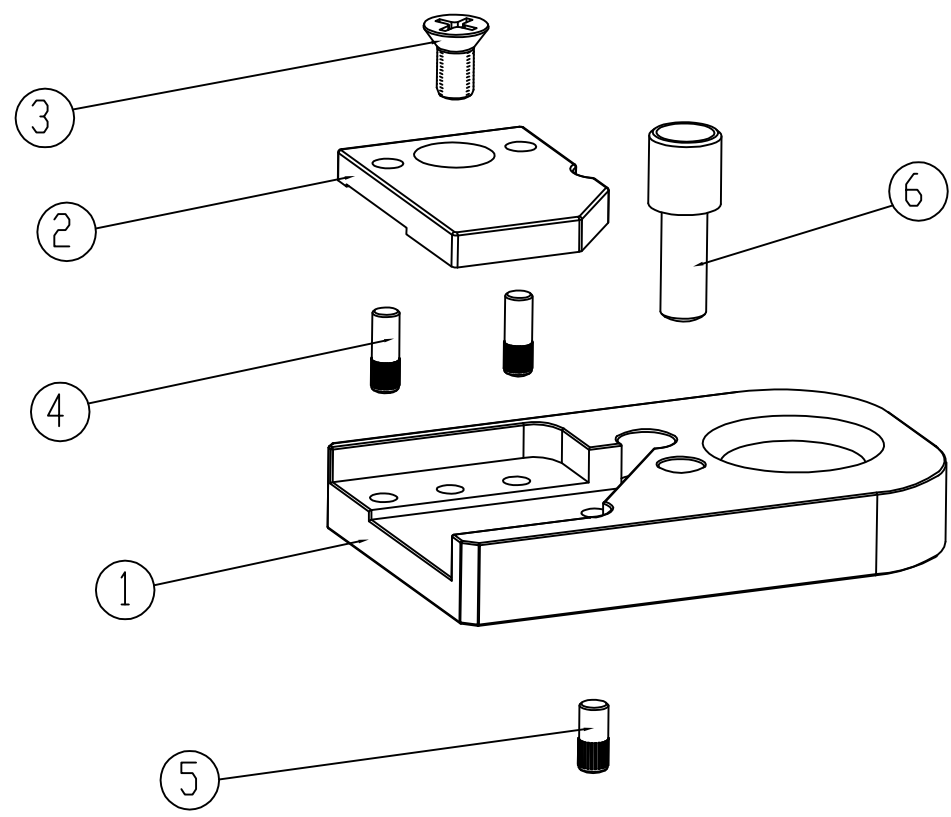
ITEM	DESCRIPTION	PART No.	QTY
1	ALUM COMPOSITE TOOL HOLDER	17-xxx	1
2	WHEEL BEARING STUD/POST	17-229	2
3	WHEEL HOLDER SCREW	17-231	2
4	WHEEL BEARINGS (SET OF TWO)	05-226	1 SET
5	POST STUD - WHEEL HOLDERS	17-xxx	1

ALUM COMPOSITE



FSC ALUM COMPOSITE HOLDER ASSEMBLY

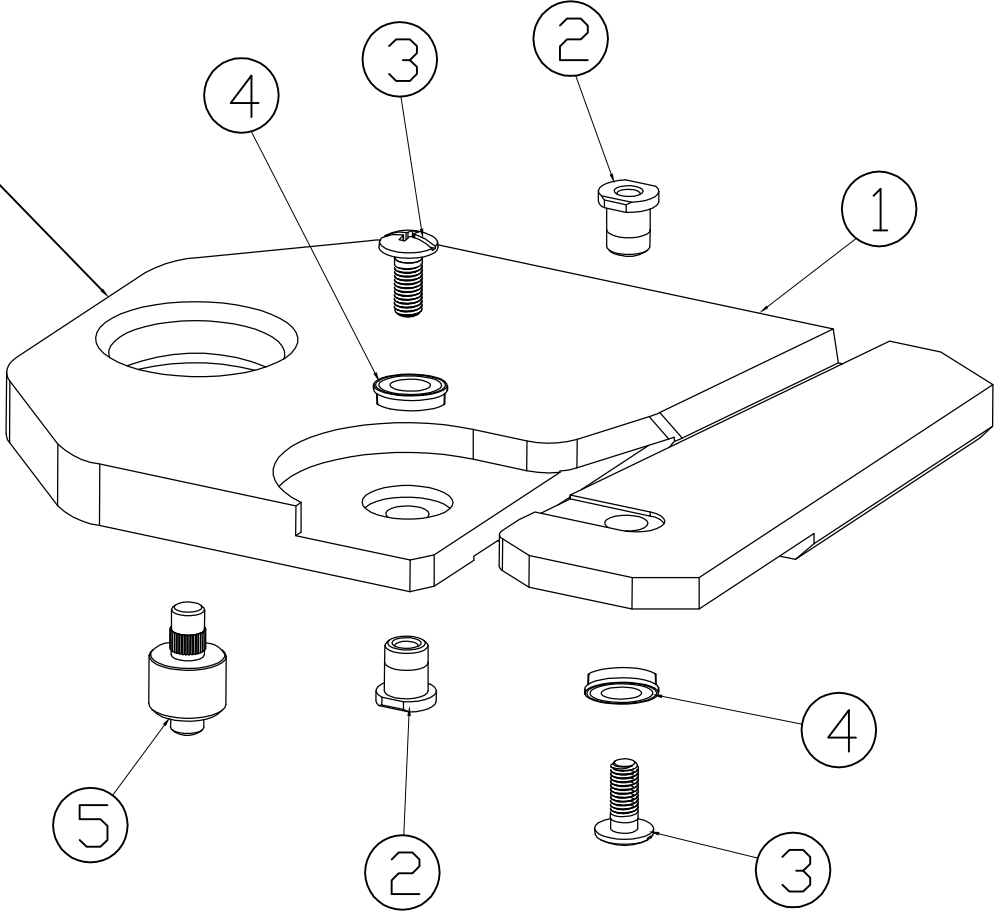
ITEM	DESCRIPTION	PART No.	QTY
1	1/2" BLADE HOLDER	17-xxx	1
2	BLADE CLAMP PLATE	17-xxx	1
3	M4 X 8mm FLAT HEAD SCREW	17-259	1
4	3mm DIA. X 9mm GROOVE PIN	17-xxx	2
5	3.18mm DIA. X 7.5mm GROOVE PIN	17-xxx	1
6	POST STUD	17-257	1



FSC 1/2" BLADE HOLDER ASSEMBLY

ITEM	DESCRIPTION	PART No.	QTY
1	ALUM SHEET TOOL HOLDER	17-xxx	1
2	WHEEL BEARING STUD/POST	17-229	2
3	WHEEL HOLDER SCREW	17-231	2
4	WHEEL BEARINGS (SET OF TWO)	05-226	1 SET
5	POST STUD - WHEEL HOLDERS	17-xxx	1

ALUM SHEET



FSC ALUM SHEET HOLDER ASSEMBLY