

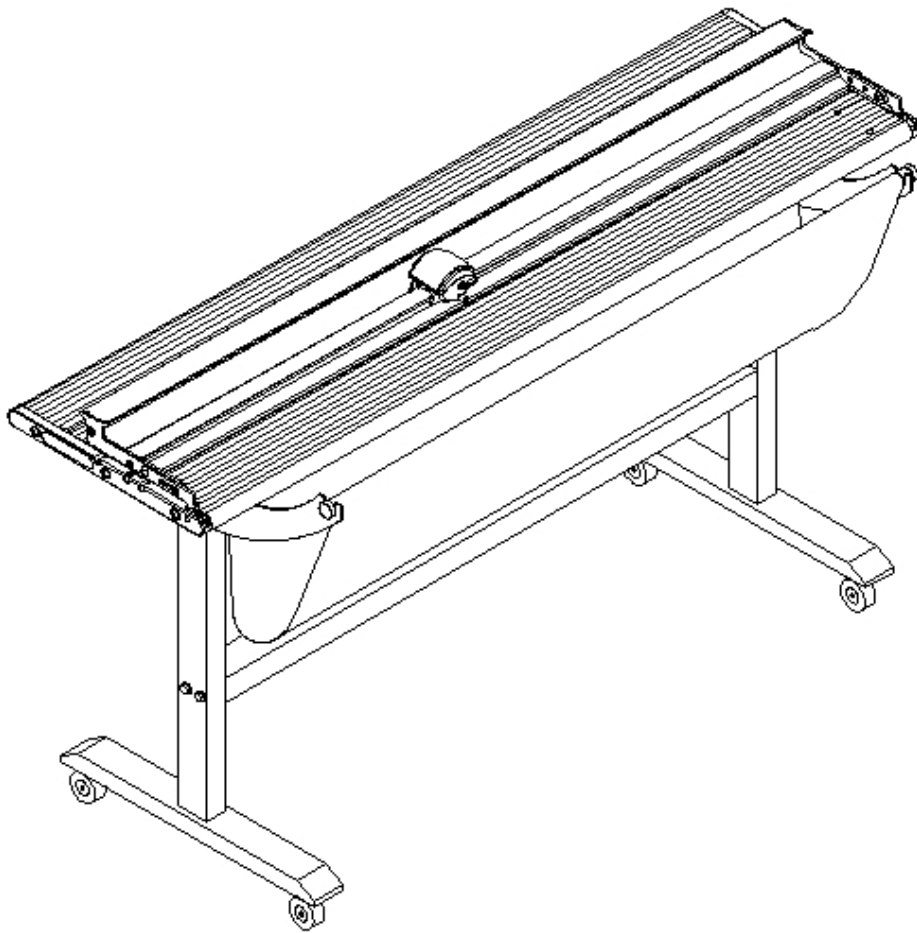


The Fletcher-Terry Company

*Quality. Service. Dependability. Value.
Since 1868*

ASSEMBLY INSTRUCTIONS

Fletcher Titan Stand



(Shown with Titan machine mounted)

The Fletcher-Terry Company

65 Spring Lane • Farmington, CT USA 06032-3311

Tel 860.677.7331 or 800.843.3826 • Fax 860.676.8858 • www.fletcher-terry.com

customerservice@fletcher-terry.com

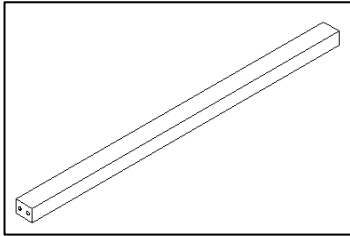
TABLE OF CONTENTS

<u>TITLE</u>	<u>PAGE</u>
Product Warranty	2
Parts Identification	3
Assembly:	
Step 1: Remove and reposition Material Catcher Plates	4
Step 2: Assemble Lower Cross Beam to Left/Right Vertical Leg Assemblies.....	4
Step 3: Install Roll Stock Material Bar	4
Step 4: Assemble Upper Support Cross Bar:	4
Step 5: Assemble Machine Mounting Plates to top of Vertical Legs Assemblies	5
Step 6: Install Adjustable Jack Screw Knobs: - 80" (2m), 100" (2.5m), 120" (3m) units only.....	5
Step 7: Attach Titan machine onto Stand Assembly.....	6
Step 8: Install Material Catcher Bars and Hammock	6

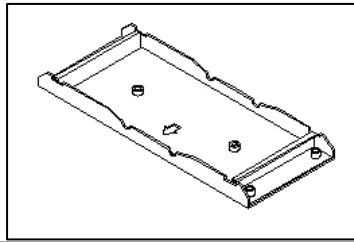
Product Warranty

The Fletcher-Terry Company warrants the product purchased to be free from defects in parts and workmanship for (1) one year from the date of purchase. The Fletcher-Terry Company warrants that it will repair or replace any such defective parts, providing the product has been under normal use and service and the defective part is returned to The Fletcher-Terry Company at the purchaser's expense. The Fletcher-Terry Company must authorize the return in writing. Proof of purchase must be submitted to validate warranty coverage. The warranty is in lieu of all other agreements and warranties expressed or implied. THE FLETCHER-TERRY COMPANY DOES HEREBY EXPRESSLY DISCLAIM ANY WARRANTIES OF MERCHANT ABILITY OR FITNESS FOR A PARTICULAR PURPOSE. The Fletcher-Terry Company does not authorize any company employee or representative to assume for it any other liability than that set forth in this Product Warranty. The Fletcher-Terry Company shall not be liable for any damages or losses, whether incidental or consequential or direct or indirect, arising out of the use or abuse of this product. This Warranty is valid only when product is used with Fletcher consumables and/or replacement parts. In any event, THE PURCHASER'S SOLE AND EXCLUSIVE REMEDY UNDER THIS OR ANY OTHER WARRANTY IS LIMITED TO RETURN OF THE PURCHASE PRICE PAID FOR THIS PRODUCT.

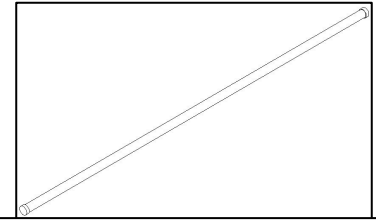
Parts Identification



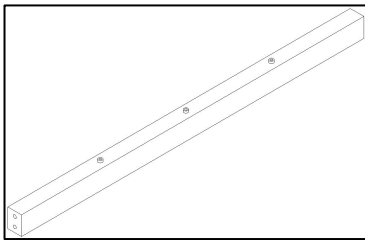
Lower Cross Beam (x1)



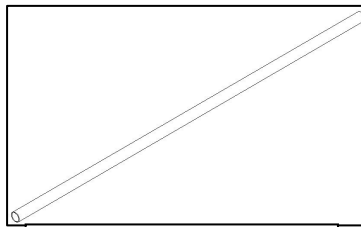
Machine Mounting Plate (x2)



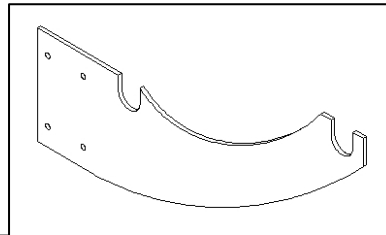
Material Catcher Rod (x2)
(Hammock (x1) not pictured)



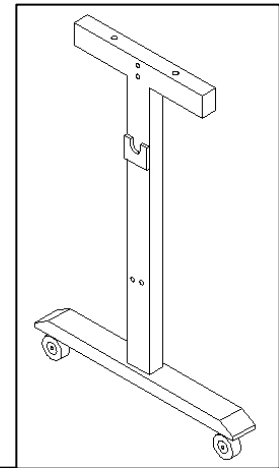
Upper Cross Bar (x1):
80", 100", 120" bars have
(3) threaded top holes.



Roll Stock Bar (x1)






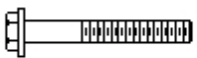
Material Catcher Support Plate (x2)

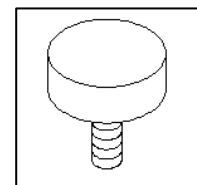


Vertical Leg Assembly (x2)

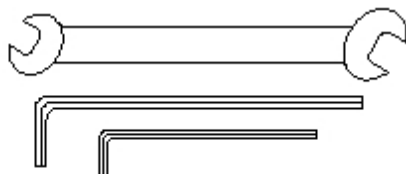
  M5 x 10mm Button Head Screw (x8)

  M8 x 40mm Hex Head Bolt (x8)

  M8 x 60mm Hex Head Bolt (x4)

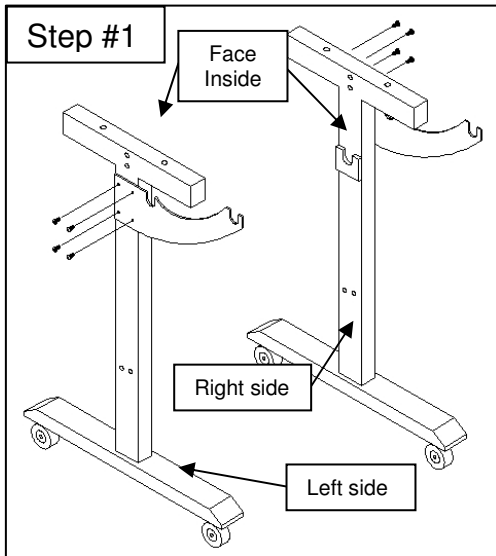


Adjustable Jack Screw Knob
(x3):
80" (2m), 100" (2.5m), 120"
(3m) units only

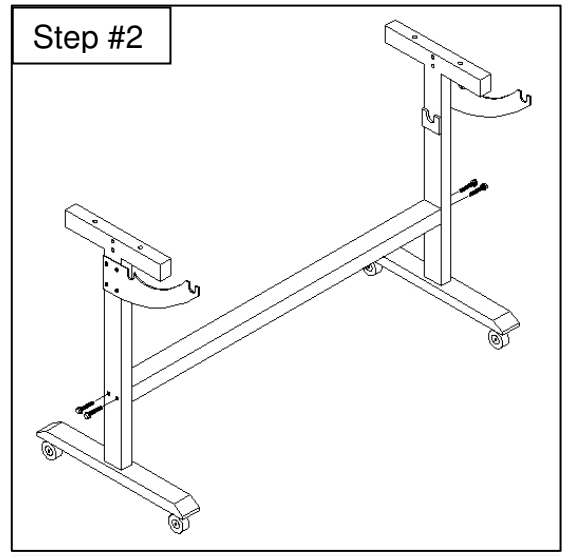


Tools:
M10/M12 Open End Wrench (x1)
M4 Hex Key Wrench (x1)
M3 Hex Key Wrench (x1)

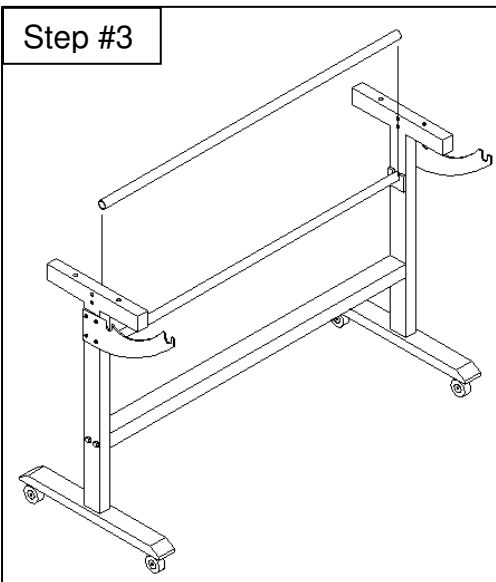
Stand Assembly



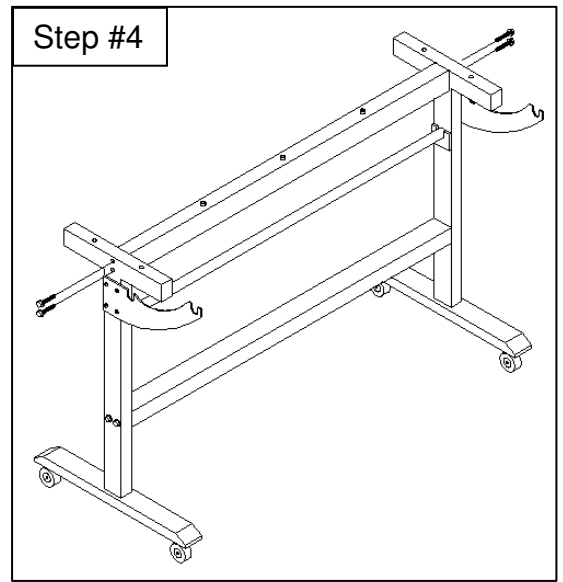
Attach Material Catcher Support Plates with M5 Screws (x4) each.
Note position: creates left/right sides.



Attach Lower Cross Beam with M8 x 40mm Hex Head Bolts (x2) each end.

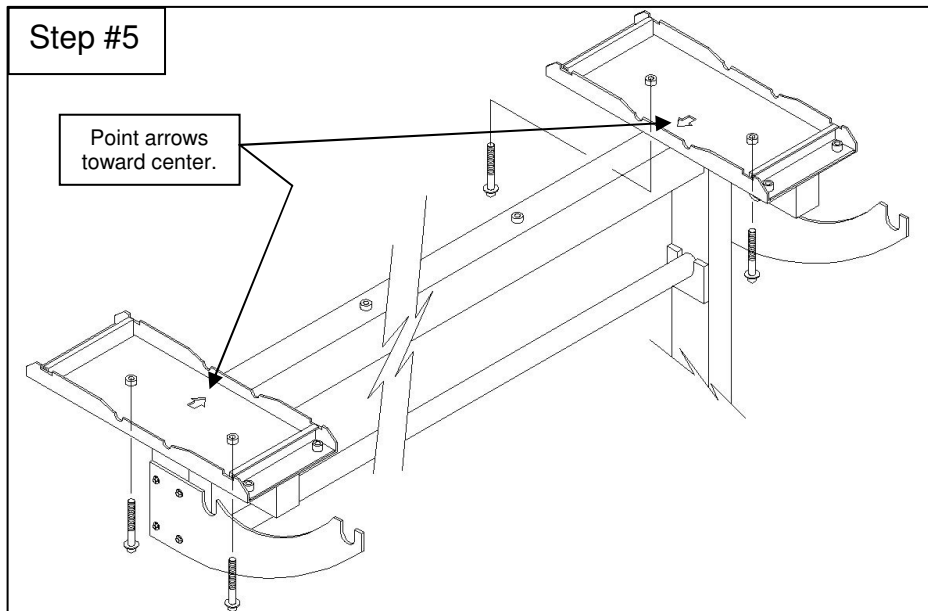


Place Roll Stock Bar into nests on Vertical Leg Assemblies.

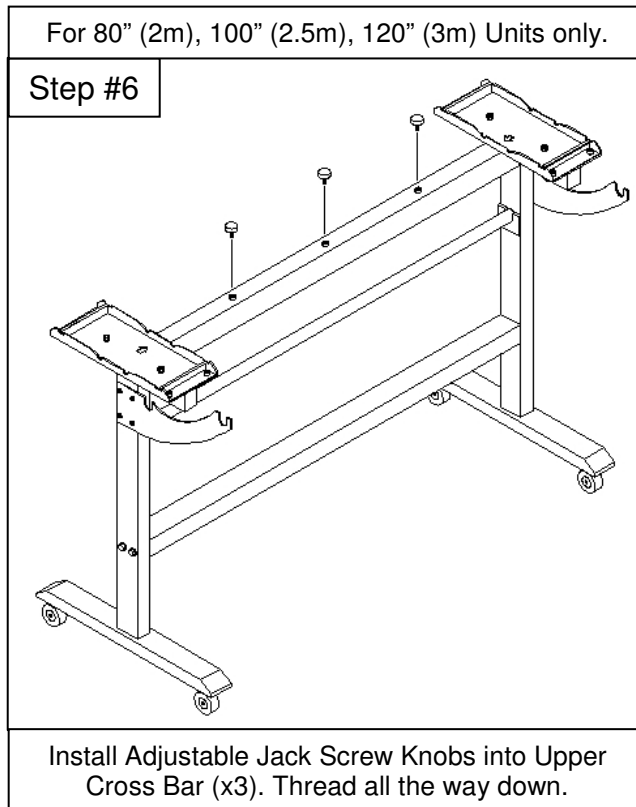


Attach Upper Cross Bar with M8 x 40mm Hex Head Bolts (x2) each side.

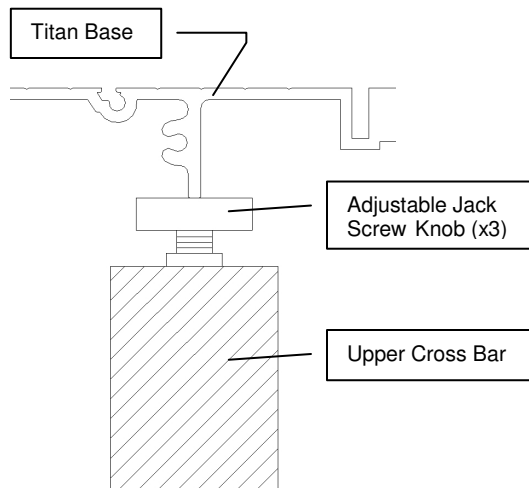
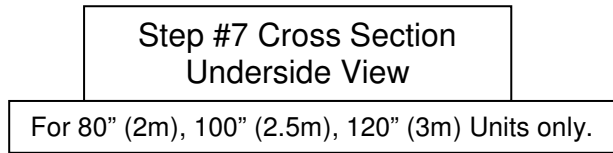
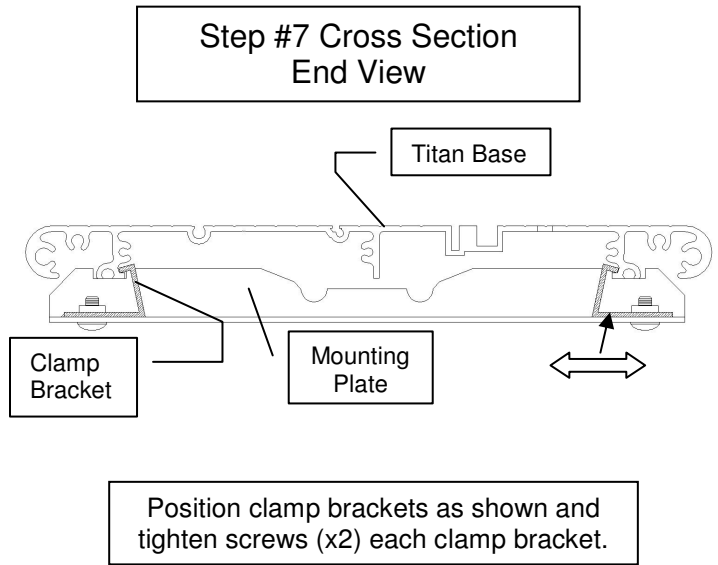
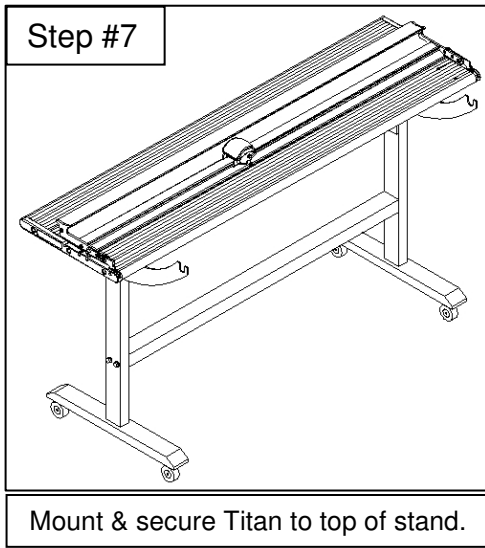
Stand Assembly



Attach Machine Mounting Plates to top of Vertical Leg Assemblies with M8 x 60mm Hex Head Bolts through the underside of the Leg top cross bar (x2) each side.
Note: Position arrows toward center.



Stand Assembly



Reposition Adjustable Jack Screw Knobs (x3) to contact underside of Base for proper support.

