

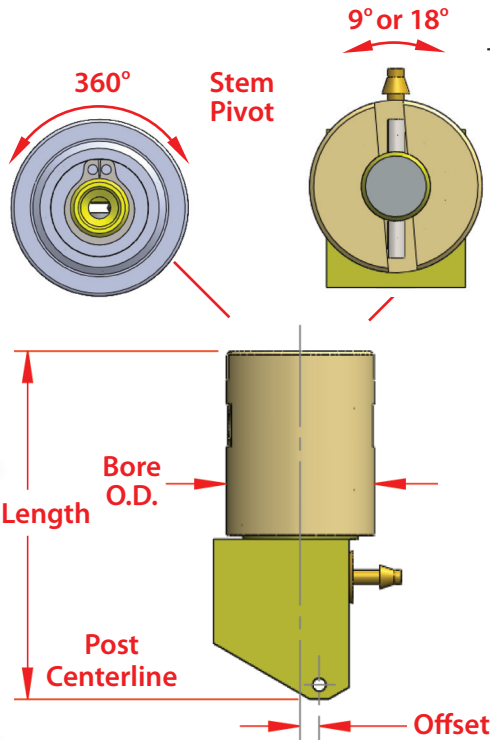


# Pillar Posts & Wheel Holder Technology

Once you have identified your cutting wheel O.D., angle and insert, the next step in Fletcher's **Matched Component Technology** is the selection of the proper pillar post. The step by step process below provides the key decision points that guide you in making the right selection. Fletcher manufactures over 150 different configurations and will design a pillar post to meet your production requirements.

The Fletcher-Terry Company, LLC

Quality. Service. Dependability. Value. Since 1868.



## What you need to know when ordering?

**MACHINE TYPE** - **Ba** (Bando); **Bav** (Bavelloni); **Bi** (Billco); **BO** (Bottero); **By** (Bystronic); **GED** (GED); **Gl** (Glaston); **Gr** (Grenzebach); **He** (Hegla); **Li** (Lisec); **OI** (Olbricht); **Ta** (Tamglass); **OTH** (other)  
(see images of Machine Types at bottom of this page)

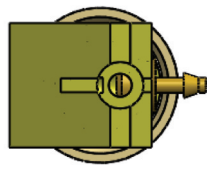
**BORE O.D.** - Measurement in **inches** or **mm** of **INSIDE Diameter** of **machine OR Post OUTSIDE Diameter** (0.760", 0.623"); NA if unsure

**LENGTH** - **Length** of Post needed ; NA if unsure

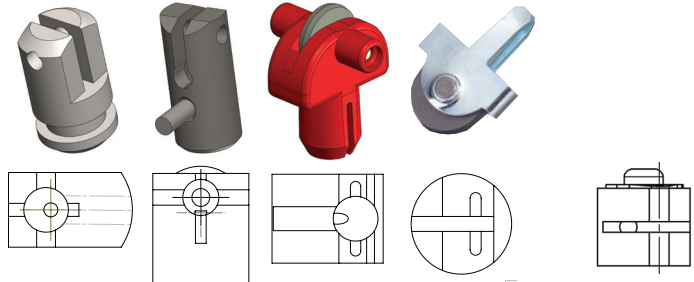
**OFFSET** - Distance from wheel centerline to post centerline  
**Standards:** 0.080" (2.0 mm) - Pattern Cutting  
 0.125" (3.2 mm) - Faster Straight Line Cut (Sitter Bridge)  
 0.250" (6.4 mm) - Faster Straight Line Cut (Float Line Cross Cut)

**SWIVEL TYPE** - Allows cutting head to travel with least amount of resistance.  
**Standards:** 9° ; 18° (normal cutting) ; 90° shape cutting ; 360° shape cutting) **Self Aligning (SA)** OR **Self Centering (SC)**

**INSERT TYPE** - **ATF**    **M1**    **PC**    **METAL**    **NONE**  
(axle held in post stem)

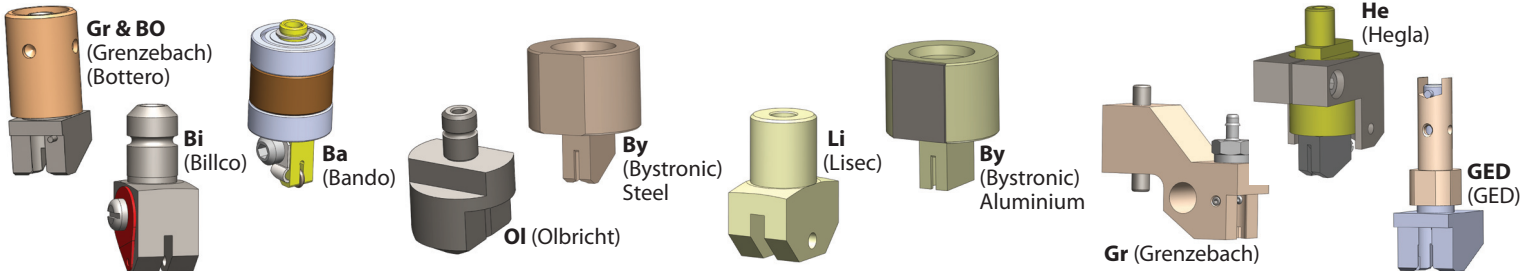


INSERT TYPE (Wheel Holder)



**MACHINE**    **BORE O.D.**    **LENGTH**    **OFFSET**    **SWIVEL TYPE**    **INSERT**

## MACHINE TYPES



**The Fletcher-Terry Company, LLC - Corporate Headquarters:**  
 91 Clark Drive | East Berlin, CT 06023 USA  
 Customer Service: 1.800.843.3826 | Fax: 1.860.828.3400  
 Email: [gpf@fletcher-terry.com](mailto:gpf@fletcher-terry.com) | Website: [www.fletcher-terry.com](http://www.fletcher-terry.com)

**The Fletcher-Terry Company, LLC - China Sales Office:**  
 FengDeling Area, Fengang | Dongguan, China | Guangdong | 523692  
 Tel: 86-769-8285-6028 | Fax: 86-769-8285-6068  
 Email: [gpf-china@fletcher-terry.com](mailto:gpf-china@fletcher-terry.com) | Website: [www.fletcher-terry.com](http://www.fletcher-terry.com)