

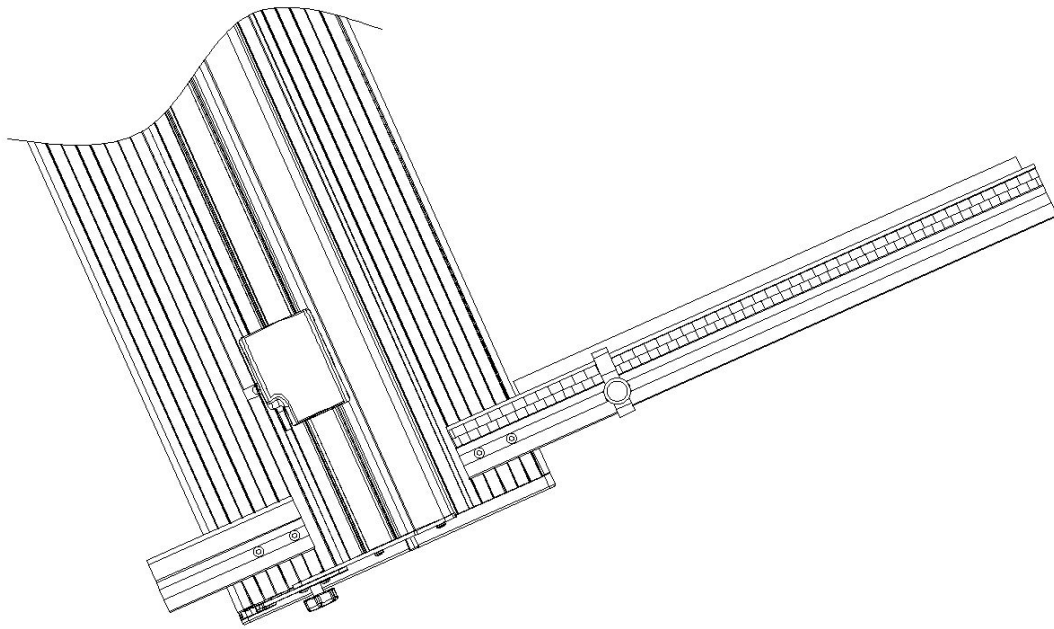


The Fletcher-Terry Company

*Quality. Service. Dependability. Value.
Since 1868*

ASSEMBLY INSTRUCTIONS

Fletcher Titan Squaring Arm



Shown Assembled on Titan Machine

The Fletcher-Terry Company

65 Spring Lane • Farmington, CT USA 06032-3311

Tel 860.677.7331 or 800.843.3826 • Fax 860.676.8858 • www.fletcher-terry.com

customerservice@fletcher-terry.com

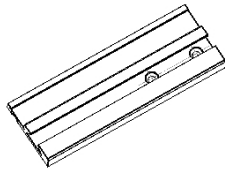
TABLE OF CONTENTS

<u>TITLE</u>	<u>PAGE</u>
Product Warranty	2
Parts Identification	2
Base Mounting Holes:	
Step 1: Drill base mounting holes - if necessary	3
Assembly:	
Step 2: Remove your machine's End Cap	4
Step 3: Attach Right Side Extrusion	4
Step 4: Attach Left Side Extrusion.....	4
Squaring the Extrusions & Setting the Scale:	
Step 5: Square the Right Side Extrusion.....	5
Step 6: Align the Left Side Extrusion	5
Step 7: Setting the Scale	5
How to Use the Squaring Arm System:	
Setting the Measuring Stop for Cutting or Trimming	6

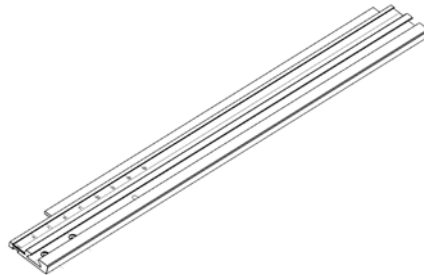
Product Warranty

The Fletcher-Terry Company warrants the product purchased to be free from defects in parts and workmanship for (1) one year from the date of purchase. The Fletcher-Terry Company warrants that it will repair or replace any such defective parts, providing the product has been under normal use and service and the defective part is returned to The Fletcher-Terry Company at the purchaser's expense. The Fletcher-Terry Company must authorize the return in writing. Proof of purchase must be submitted to validate warranty coverage. The warranty is in lieu of all other agreements and warranties expressed or implied. THE FLETCHER-TERRY COMPANY DOES HEREBY EXPRESSLY DISCLAIM ANY WARRANTIES OF MERCHANT ABILITY OR FITNESS FOR A PARTICULAR PURPOSE. The Fletcher-Terry Company does not authorize any company employee or representative to assume for it any other liability than that set forth in this Product Warranty. The Fletcher-Terry Company shall not be liable for any damages or losses, whether incidental or consequential or direct or indirect, arising out of the use or abuse of this product. This Warranty is valid only when product is used with Fletcher consumables and/or replacement parts. In any event, THE PURCHASER'S SOLE AND EXCLUSIVE REMEDY UNDER THIS OR ANY OTHER WARRANTY IS LIMITED TO RETURN OF THE PURCHASE PRICE PAID FOR THIS PRODUCT.

Parts Identification



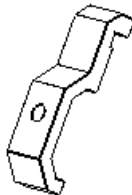
Left Side Extrusion



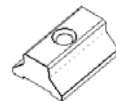
Right Side Extrusion Assembly with Scale



Measuring Stop Knob



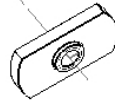
Measuring Stop



Measuring Stop Key



#10-24 x 1/2" Flat Head Screw (x4)

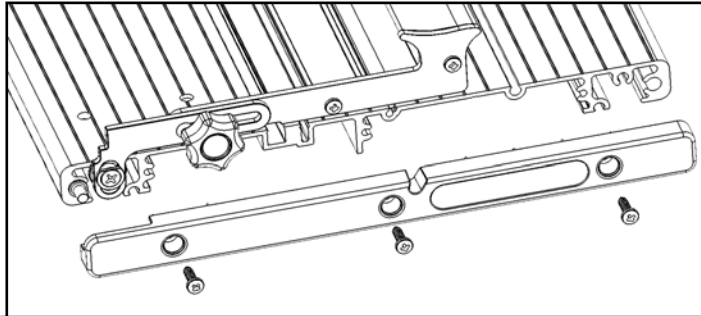


Threaded Base Nut (x4)

Drilling Base Holes

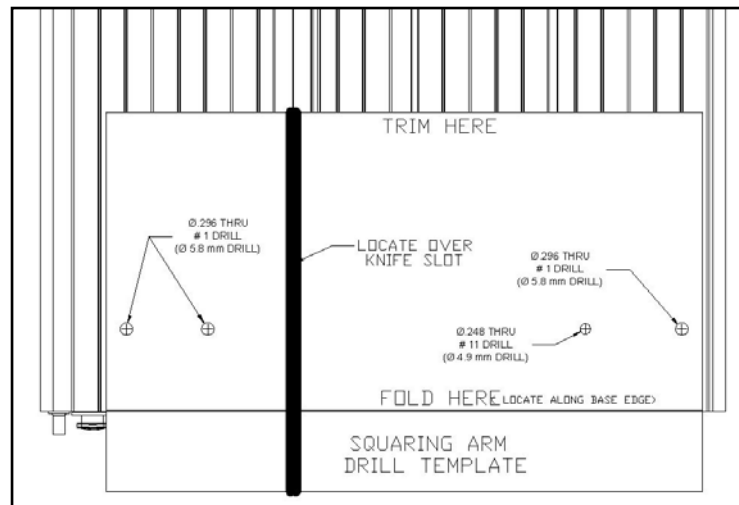
Note: If your unit has the four holes pre-drilled then jump to Step #2.

Step #1a:



Remove the End Cap from your machine.

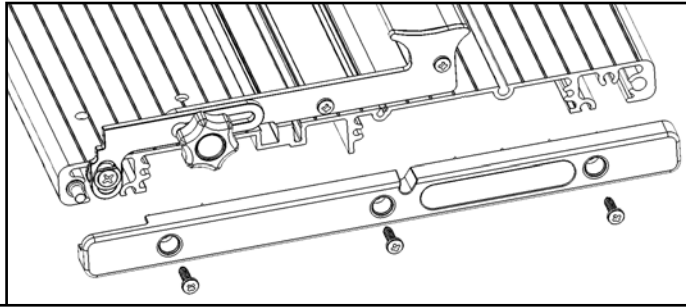
Step #1b.



- 1) Tape the Drill Template, found on last page, onto your Base with the Fold line along the Base edge and the bold double line positioned over the knife (blade) slot.
- 2) Create a dimple in the Base at the four hole locations with a hammer and a pointy object like a nail to insure the drill's starting location.
- 3) Drill three .228 diameter holes and one .191 diameter hole.
- 4) Remove the template and remove any burrs from the underside.
- 5) Continue with step #3.

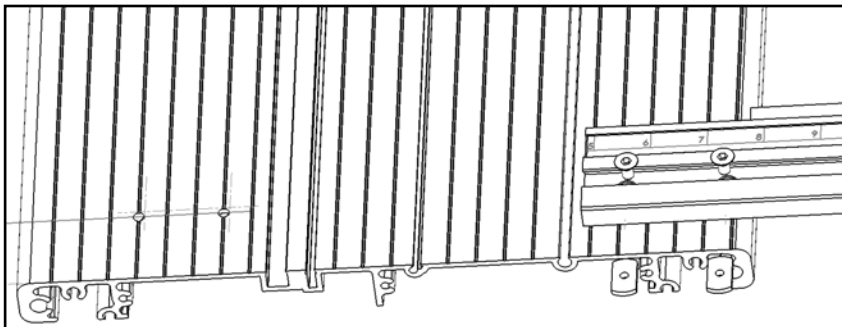
Assembly

Step #2:



Remove the End Cap from your machine for easier installation of the Threaded Base Nuts.

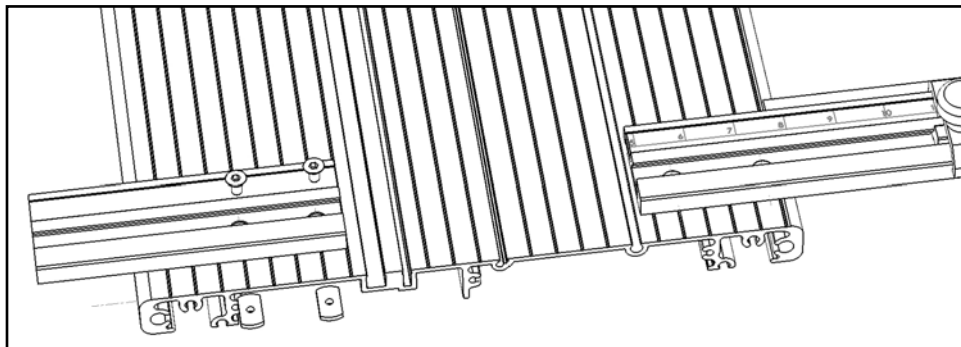
Step #3:



Loosely attach the Right Side Extrusion Assembly to your Base with Flat Head Screws (x2) and Threaded Base Nuts (x2).

Note: The machine Rail Extrusion and Pivot System not pictured for clarity.

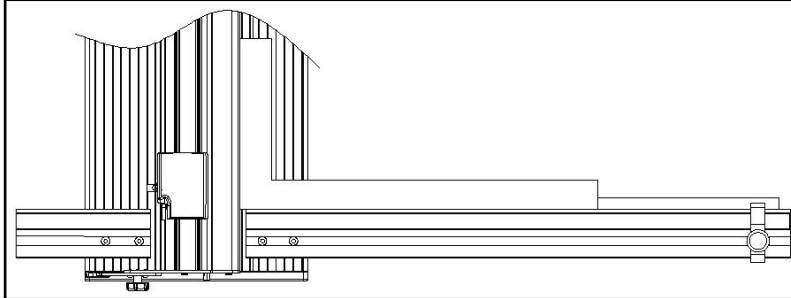
Step #4:



Loosely attach the Left Side Extrusion to your Base with Flat Head Screws (x2) and Threaded Base Nuts (x2).

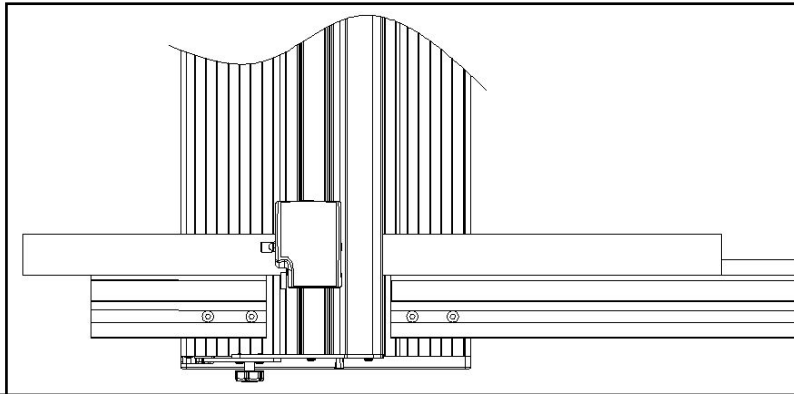
Squaring & Setting the Scale

Step #5:



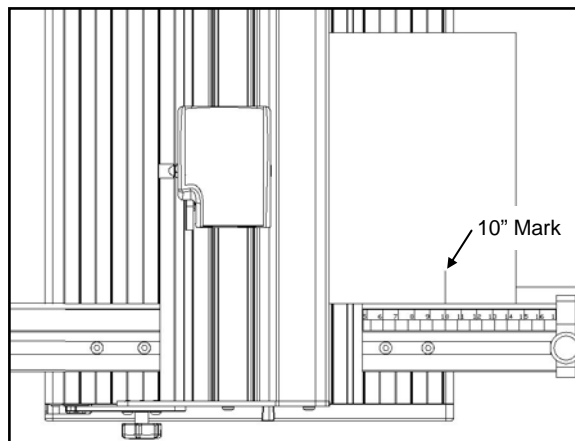
- 1) Reattach your machine's End Cap.
- 2) Using a carpenter's square as shown, the longer leg along the Right Side Extrusion edge and the shorter leg along the back side of the Rail Extrusion, square the Right Extrusion Assembly and tighten the two flat head screws.

Step #6:



Using a straight edge as shown, align the Left Side Extrusion to the Right Side Extrusion and tighten the two flat head screws.

Step #7:



Make a short pencil line on a board at precisely 10 inches from the left edge. Place the board against the Right Side Extrusion and slide it to the left under the Rail until it makes contact with the cutting blade. The scale has a pressure-sensitive adhesive on the underside. Slide the scale to the right and peel off about 3 inches of the protective paper. Position the scale with its 10 inch graduation aligned precisely with the pencil mark on the board. Press down on the right end of the scale so the exposed adhesive will attach to the Right Side Extrusion.

Setting the Measuring Stop

The Measuring Stop has been designed so you can use the Scale for both the Cutting and Trimming positions of your machine. The material always locates on the left side of the Stop. Set the position of the Stop as follows:

- For the Cutting Position: Set the left side of the Stop to the desired location on the Scale.
- For the Trimming Position: Set the right side of the Stop to the desired location on the Scale.

