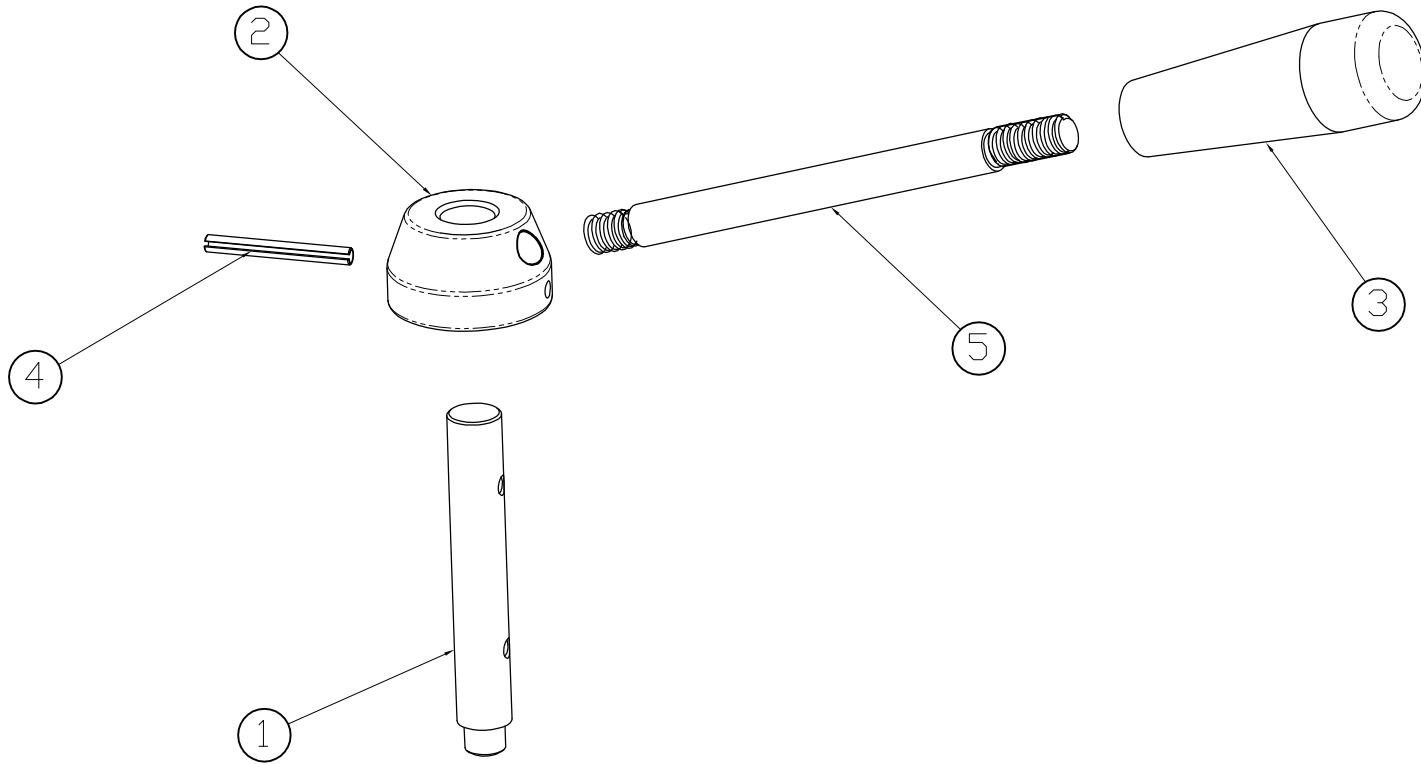


ITEM	DESCRIPTION	PART No.	QTY
1	PIVOT HUB SHAFT	17-162	1
2	PIVOT HUB	17-163	1
3	CLAMP LEVER PLASTIC HANDLE	17-165	1
4	PIVOT HUB SPRING PIN	17-161	1
5	CLAMP LEVER SHAFT	17-164	1



FSC CLAMP LEVER ASSEMBLY